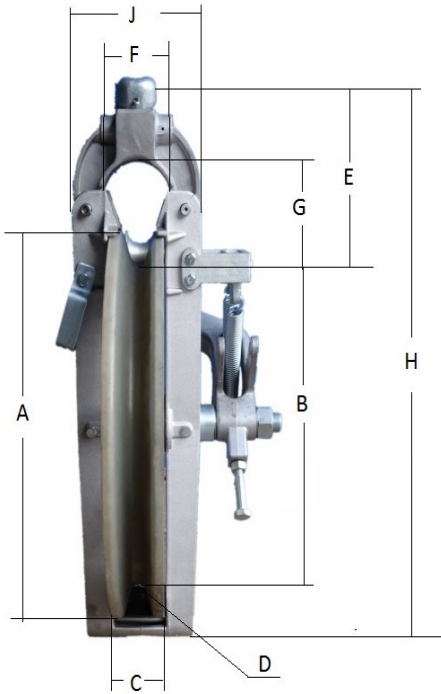


# PE-FB SERIES

## FULL FRAME STYLE CONDUCTOR STRINGING BLOCK



(shown with optional ground attachment)

P/N	General Dimensions in inches										Weight	Max. Safe Working Load
PE-FB12	A	B	C	D	E	F	G	H	J		15 LB	8,000 LB
	12.5	10	2.24	0.65	11	2.36	3.34	22.8	6			

P/N	General Dimensions in inches										Weight	Max. Safe Working Load
PE-FB16	A	B	C	D	E	F	G	H	J		33 LB	9,000 LB
	16.5	14.88	2.4	0.63	8.42	3.07	3.82	24	6			

P/N	General Dimensions in inches										Weight	Max. Safe Working Load
PE-FB22	A	B	C	D	E	F	G	H	J		61 LB	12,000 LB
	22	18.42	3.23	0.81	9.36	3.54	5.59	2.9	8.19			

P/N	General Dimensions in inches										Weight	Max. Safe Working Load
PE-FB28	A	B	C	D	E	F	G	H	J		74 LB	12,000 LB
	28	24	3.54	0.87	9.96	4.21	5.59	37.4	8.19			

P/N	General Dimensions in inches										Weight	Max. Safe Working Load
PE-FB32	A	B	C	D	E	F	G	H	J		88 LB	12,000 LB
	32	28	3.58	1.08	9.96	4.21	5.59	41.7	8.19			



(shown with optional ground attachment)

P/N	General Dimensions in inches								Weight	Max. Safe Working Load	
PE-HB34	A	B	C	D	E	F	G	H	J	96 LB	15,000 LB
	34	30.43	3.54	1.08	9.96	4.21	5.59	43.97	8.19		

### General Tech. Data

- T6 Heat treated high-strength aluminum alloy A356 for entire frame construction.
- Precision ground, deep-groove type shielded ball bearings.
- All ferrous components are protected from corrosion by Zinc plated or hot dip galvanized.
- Pulling line sheaves are lined with high strength, UV resistant urethane.
- 20-30K ball-eye socket clevis to match with all standard fittings.
- Safe Working Load is referenced to Single Resultant Vertical Load on Center (Pulling Line) Sheave.
- Available in sheave sizes from 12" to 34". Safe working loads range from 8,000 lbs to 15,000 lbs
- Conductor ranges covered include 3/0 CIR. MIL. ACSR to 2515 CIR. MIL. ACSR.

Design and specifications are subject to change without notice.